

# BE THERE TO SEE THE FUTURE

CONVERSION & SWITCHING FOR  
**VIDEO SECURITY & SURVEILLANCE**



Transportation



Campus



Retail

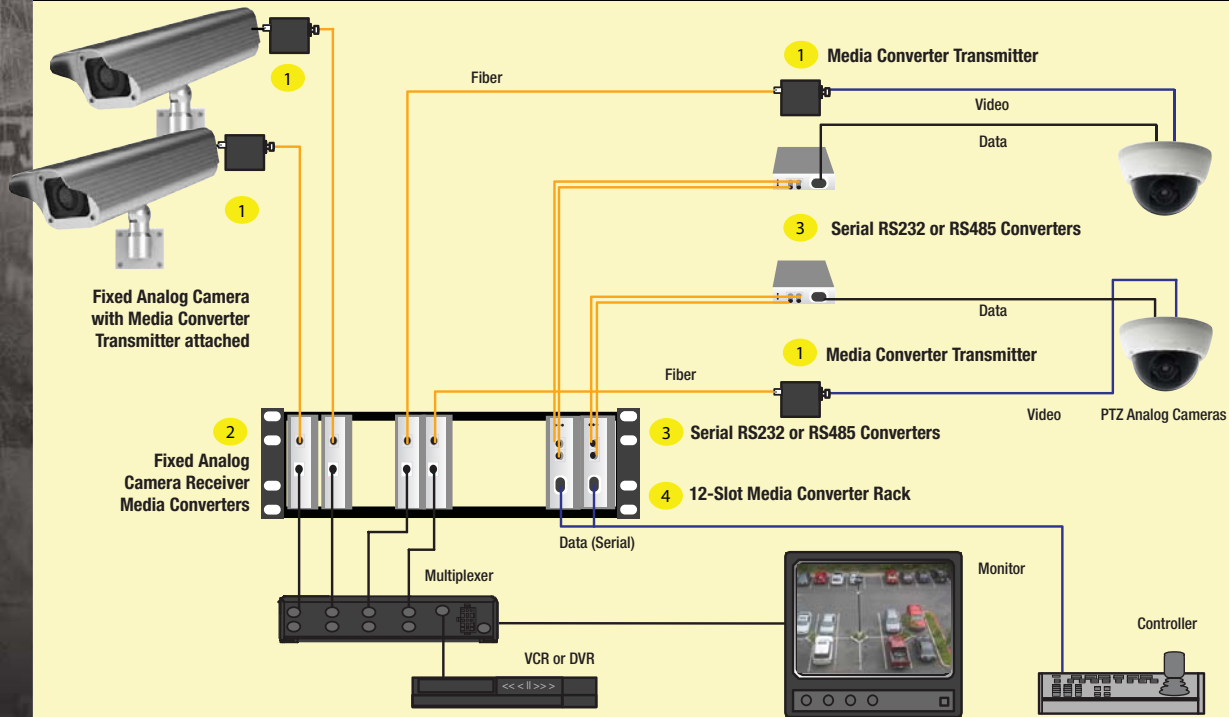


Video Surveillance

**TRANSITION**  
NETWORKS®

# ANALOG VIDEO NETWORK

## ANALOG VIDEO




- ▶ Extend analog CCTV video surveillance reach over fiber with copper to fiber media conversion
- ▶ Eliminate RFI & EMI noise and interference
- ▶ Integrate Pan-Tilt-Zoom data (PTZ) with video over fiber
- ▶ Reduce installation and maintenance time with Automatic Gain Control
- ▶ NTSC, PAL, SECAM compatibility

## ANALOG VIDEO PRODUCTS

### Analog Video CCTV Media Converters

1



**J/VD-TX-01(xx)**  
Transmitter

2



**J/VD-RX-01(xx)**  
Receiver

### Mounting Options



**Wall Mount Bracket**  
WMBx  
For Stand-Alone Converter

### Serial Media Converters for Pan-Tilt-Zoom (PTZ) Data

3



**SRS2F31xx-100**  
RS232

3



**SRS4F31xx-100**  
RS422/485

4



**E-MCR-05**  
For J/VD-RX-01(xx)  
and SVID201x-100



**CRS2F31xx-100**  
RS232



**CRS4F31xx-100**  
RS422/485

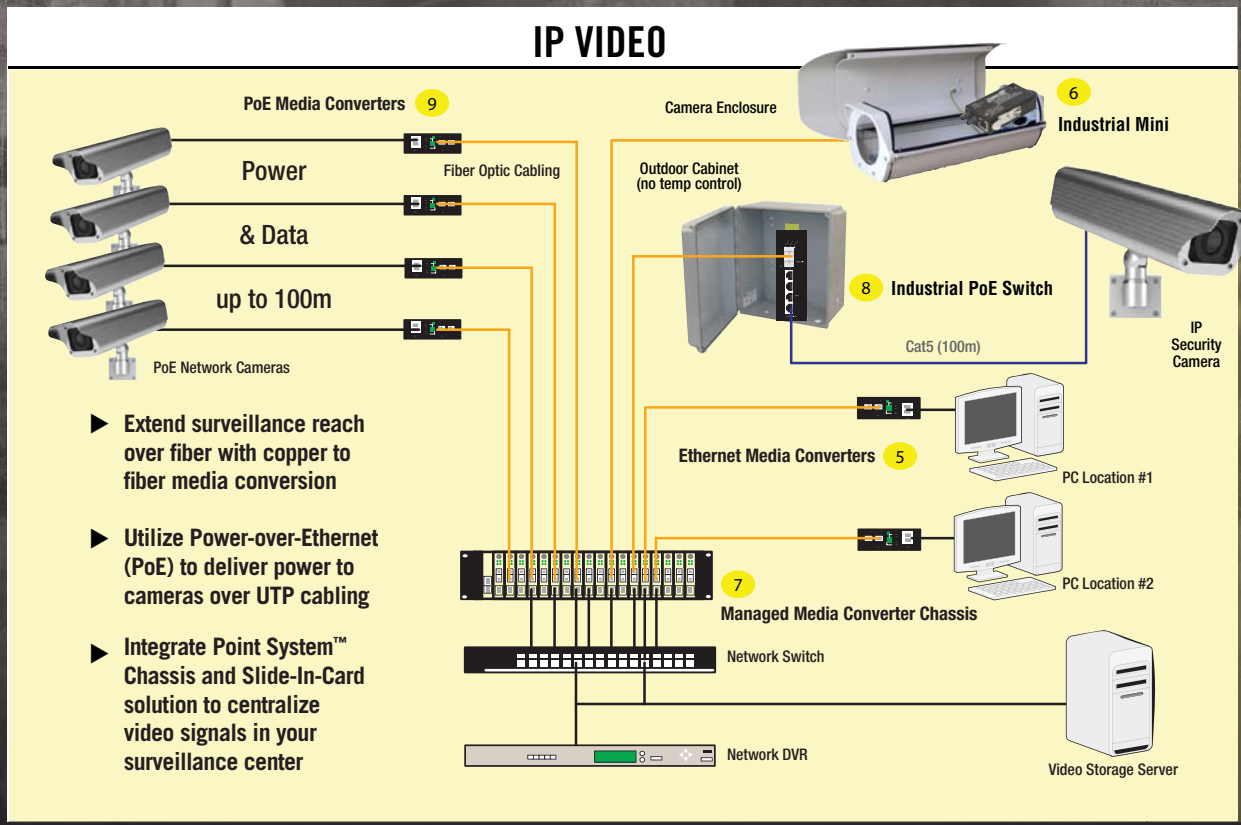


**Point System™ Managed Chassis**  
For CRS2F and CRS4F

**TRANSITION**  
NETWORKS®

+1-800-526-9267  
+1-952-941-7600  
www.transition.com

## IP VIDEO



## IP VIDEO PRODUCTS

### Ethernet, Fast Ethernet and Gigabit Ethernet Copper to Fiber Media Converters

5

**E-100BTX-FX-05(XXXX)**  
Stand-Alone

6

**M/E-ISW-FX-01**  
Industrial Mini Stand-Alone

7

**CFETF10xx-105**  
Chassis Card

### Converter Chassis

7

**Point System™ Managed Chassis**  
Managed Media Converter Chassis

### Industrial Power-over-Ethernet (PoE) Switches

8

**SISTP10xx-141-LRT**  
(4) 10/100BASE-TX PoE Ports  
to (1) 100BASE-FX Port

8

**SISPM1040-182D-LRT**  
(8) 10/100Base-TX PoE Ports  
+ (2) 10/100/1000Base-T or  
100/1000Base-X SFP Combo Ports

### Power-over-Ethernet (PoE) Media Converters & Injector

9

**SPOEB10(xx)-1(xx)**  
**SGPOE1040-100**  
10/100 & 10/100/1000 options

**MIL-L100i**  
PoE Mid-Span Injection  
Single Port

### Power-over-Ethernet (PoE) Remotely Managed Switches

**MIL-SM8TAF1GPB**  
(7) 10/100/1000BASE-TX  
Ports + (1) RJ-45/SFP  
Combo Port Fanless

**MIL-SM8TXAF2GPA**  
(8) 10/100BASE-TX Ports  
+ (2) RJ-45/SFP Combo Ports

**MIL-SM802GAF**  
(8) 10/100 Ports  
+ (1) RJ-45/SFP Combo Port

**MIL-SM2401MAF**  
(24) 10/100BASE-TX Ports  
+ (2) RJ-45/SFP Combo Ports

Transition Networks offers a full suite of networking connectivity solutions including media converters, fiber NICs, SFPs, GBIC modules and switches. The company designs and markets these technologies across a broad spectrum of protocols including Ethernet, Fast Ethernet, Gigabit Ethernet, T1/E1, DS3, ATM, and V.35. Transition Networks distributes these hardware-based connectivity solutions exclusively through a network of resellers and distributors in 50 countries.

▶ **Lifetime Warranty**

on all Transition Networks brand products (including power supply and fan)

▶ **100% Channel**

100% of Transition Networks's products are distributed exclusively through the channel

▶ **Transition NOW**

- "Chat" Live via the Web
- Free Live Web-based training with 8 seminars per month

▶ **Free Worldwide Technical Support**

via the web or telephone

▶ **Built to Perfection**

99.4% of Transition Networks's products are delivered without functional failure

▶ **ISO 9001 2000** Quality System Certified

▶ **ISO 14001** Environmental Certification

---

## CONTACT US

### North America

Worldwide Headquarters & U.S. Sales  
10900 Red Circle Drive  
Minnetonka, MN 55343 USA  
tel 952.941.7600  
toll free 800.526.9267  
fax 952.941.2322

sales@transition.com  
info@transition.com  
techsupport@transition.com  
www.transition.com

## SALES OFFICES

### Canada

tel +1-603-750-7169  
fax +1-815-361-7401

### Latin America Mexico, Central America, Caribbean

tel +1-952-996-1690  
fax +1-952-941-2322

### South America

tel +54-11-4554-8076  
fax +1-952-941-2322

### Brazil

tel +55 11 8244-7630  
fax +1-952-941-2322

### Europe

#### EMEA Headquarters / Germany

tel +49 611 974 8460  
fax +49 611 950 4672

#### Eastern & Southern Europe

tel +420 2 2426 6901  
fax +420 2 2426 6854

### Sweden

tel +46 701 49 76 07  
fax +1 952-941-2322

### United Kingdom

tel +44 1204-658098  
fax +44 1204-607742

### Asia

#### China

tel +86 21 3632 1919  
fax +86 21 3632 1688

#### Japan/ Korea

tel +81 3 5403 6470  
fax +81 3 5403 6471

#### Southeast Asia

#### Hong Kong/India

tel +65 6288-9810  
fax +65 6234-0564



900122 (0211)

©2011 Transition Networks, Inc.

All trademarks are the property of their respective owners.  
Technical information is subject to change without notice.